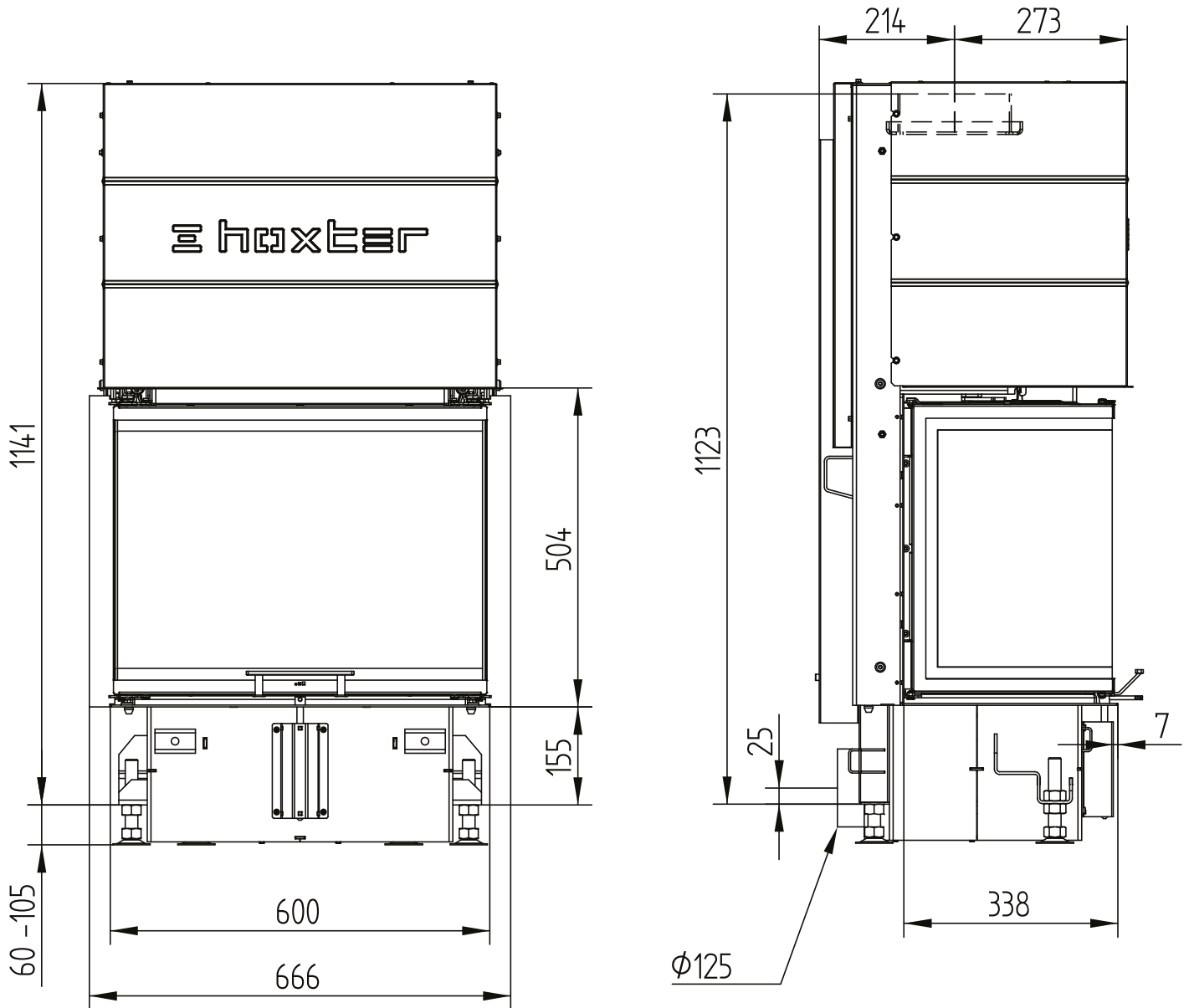


# UKA 35/60/35/50S

Technical data  
Version 2019/08

air connection / feet

M 1:10



# UKA 35/60/35/50S

Technical data  
Version 2019/08

air connection / feet

M 1:10

