

	operation when directly connected to chimney		operation when connected accumulation mass		
	cupola	hot air exchanger	cupola	adaptor	
Energy label	<b>A+</b>	<b>A+</b>	<b>A+</b>	<b>A+</b>	
<b>Operating data</b>					
Nominal heat power	7 kW	11 kW	----	----	
Efficiency	> 80 %	> 80 %	----	----	
Consumption of wood	2,1 kg/h	3,2 kg/h	8 kg	4,8 kg	8 kg
Total heat output of the burning chamber	----	----	30 kW	17 kW	30 kW
Mass flow of flue gas	6,5 g/s	8,6 g/s	25 g/s	13 g/s	20 g/s
Required chimney pressure	12 Pa	12 Pa	12 Pa	15 Pa	16 Pa
Required amount of combustion air	25 m <sup>3</sup> /h	30 m <sup>3</sup> /h	80 m <sup>3</sup> /h	60 m <sup>3</sup> /h	80 m <sup>3</sup> /h
<b>Average flue gas temperature</b>					
on the output	214 °C	217 °C	549 °C	385 °C	470 °C
past 5,3 m of ceramic accumulation system KMS 300 <sup>1</sup>	----	----	260 °C	----	
past accumulation rings (5x acc. ring Ø440mm)	----	----	----	216 °C	----
past accumulation rings (8x acc. ring Ø440mm)	----	----	----	----	260 °C
<b>Heat distribution</b>					
fireplace insert	70–82 %	70–82 %	40 %	35 %	
door glass (single / double)	30 / 18 %	30 / 18 %	30 / 18 %	30 / 18 %	
adjoining accumulation mass	----	----	30–42 %	35–47 %	
<b>Information for ventilated builds</b>					
Minimal grill area supply / outgoing	700 / 850 cm <sup>2</sup>	950 / 1150 cm <sup>2</sup>	950 / 1150 cm <sup>2</sup>	950 / 1150 cm <sup>2</sup>	
Minimum distance from insulated areas / floor	80 / 0 mm		80 / 0 mm		
Reference insulation <sup>2</sup> ceiling / back wall / side wall / floor	140 / 100 / 100 / 0 mm		140 / 100 / 100 / 0 mm		
Calciumsilicate insulation <sup>3</sup> ceiling / back wall / side wall / floor	110 / 80 / 80 / 20 mm		110 / 80 / 80 / 20 mm		
<b>Information for non-ventilated builds (closed grills)</b>					
Minimum radiant area <sup>4</sup>	5 m <sup>2</sup>		6 m <sup>2</sup>	5 m <sup>2</sup>	6 m <sup>2</sup>
Minimum distance from insulated areas / floor	80 / 20 mm		80 / 20 mm		
Reference insulation <sup>2</sup> ceiling / back wall / side wall / floor	190 / 140 / 140 / 40 mm		190 / 140 / 140 / 40 mm		
Calciumsilicate insulation <sup>3</sup> ceiling / back wall / side wall / floor	140 / 110 / 110 / 20 mm		140 / 110 / 110 / 20 mm		
<b>General technical information</b>					
Total weight / lining weight	ca. 234 / 106 kg		ca. 234 / 106 kg		
Burning chamber dimensions (width x depth)	605 x 305 mm				
Combustion air connection	Ø 150 mm				
Use in non-ventilated accumulation builds according to craft rules	suitable				
Tested according to	EN 13229				
Meets values	1. BlmSchV (Stufe2), 15a BVG				

1 Listed value from testing. For accurate results is evaluation of each system in the Ortner / KOV program necessary.

2 Mineral wool according to AGI-Q 132

3 Example SkamoEnclousure Board 225 kg/m<sup>3</sup>

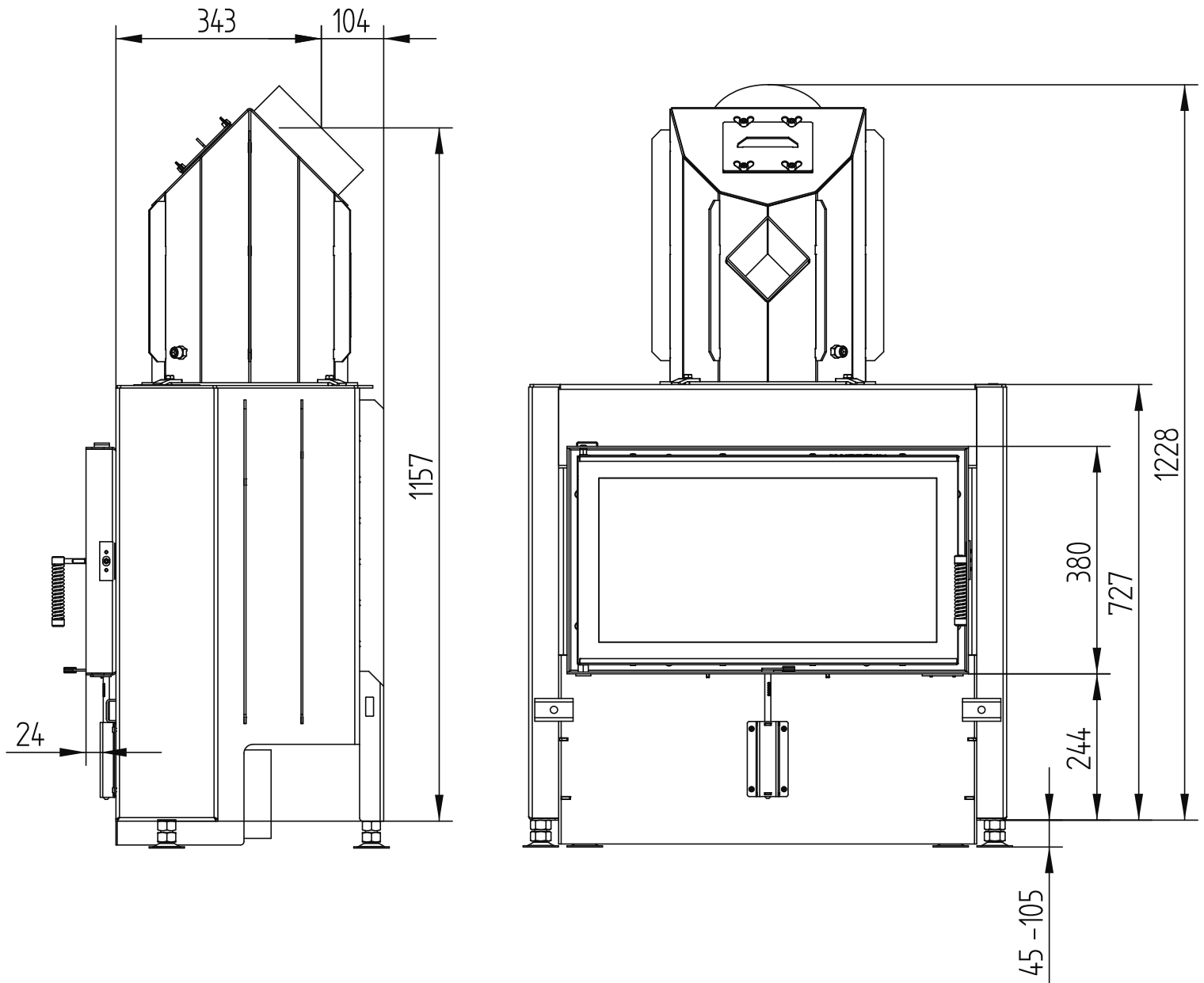
4 Depends on accumulation period and material characteristics. Listed values calculated with chamotte stone thickness 30 mm with radiant area 500 W/m<sup>2</sup>

# HAKA 67/38N

Technical data  
Version 2019/08

hot air exchanger 45°

M 1:10

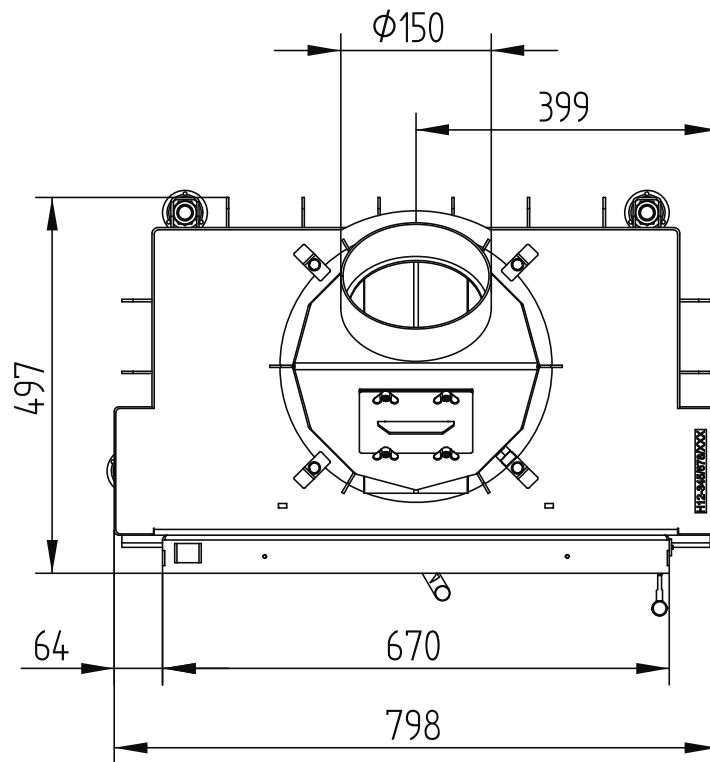


# HAKA 67/38N

Technical data  
Version 2019/08

hot air exchanger 45°

M 1:10

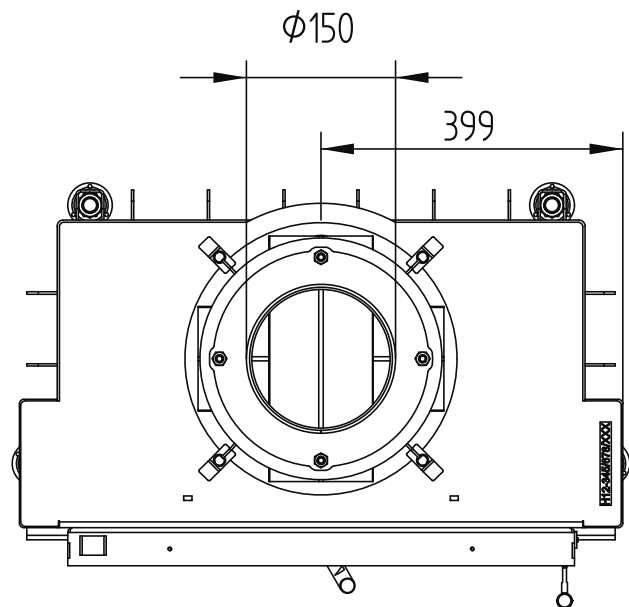
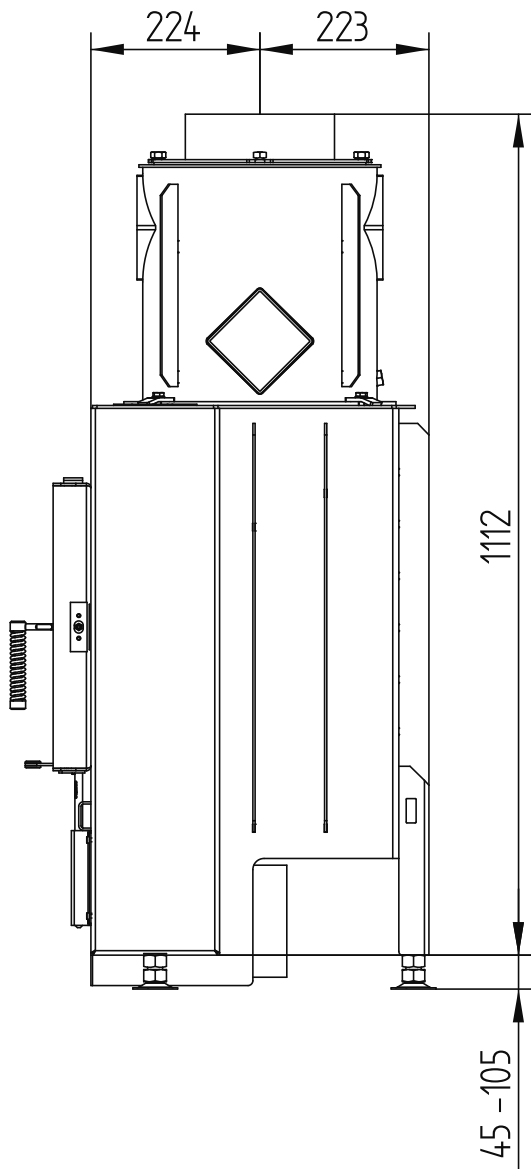


# HAKA 67/38N

Technical data  
Version 2019/08

hot air exchanger vertical

M 1:10

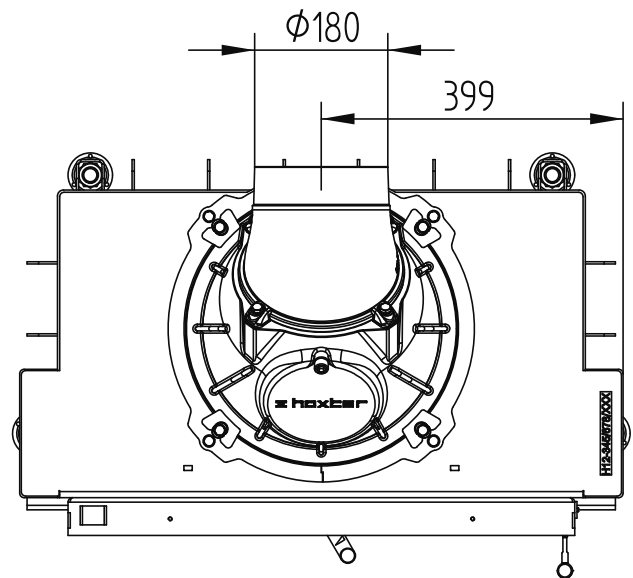
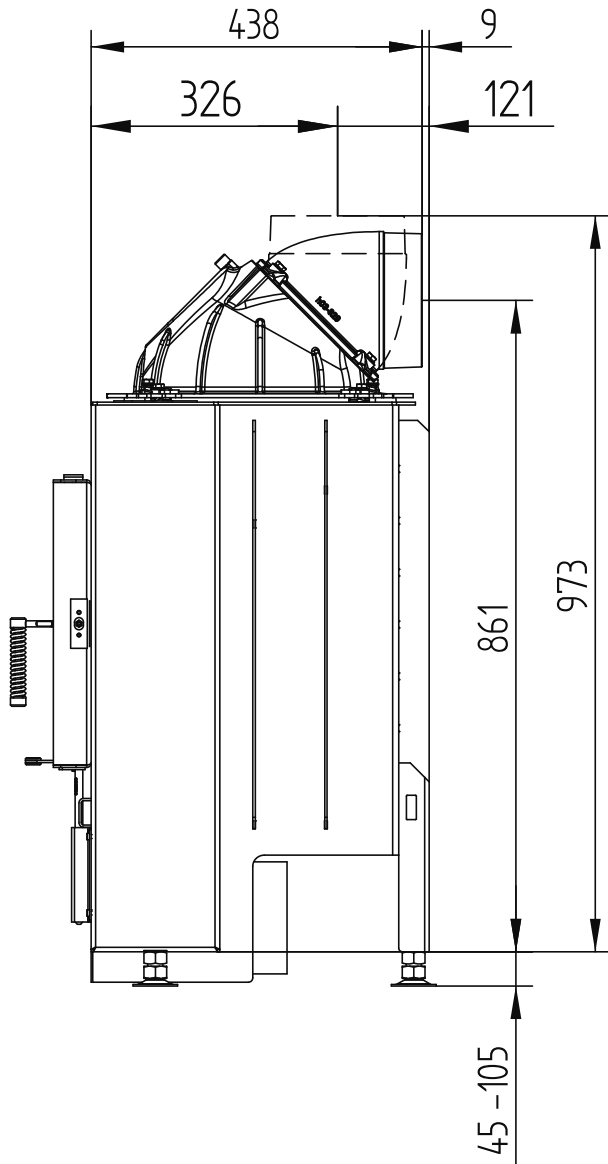


# HAKA 67/38N

Technical data  
Version 2019/08

cupola

M 1:10

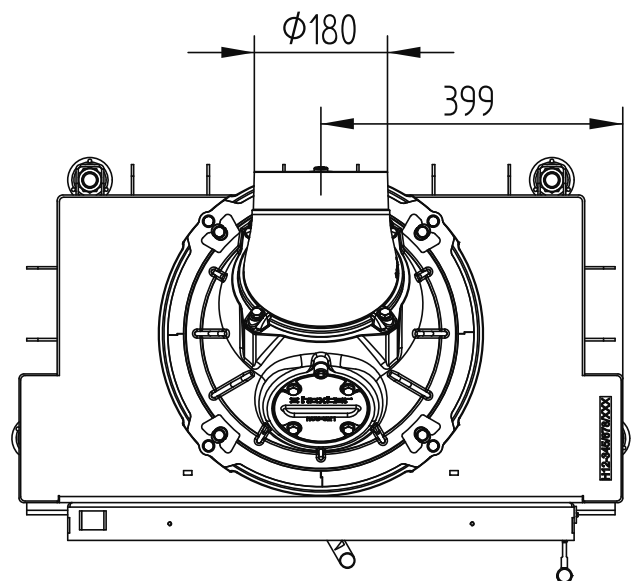
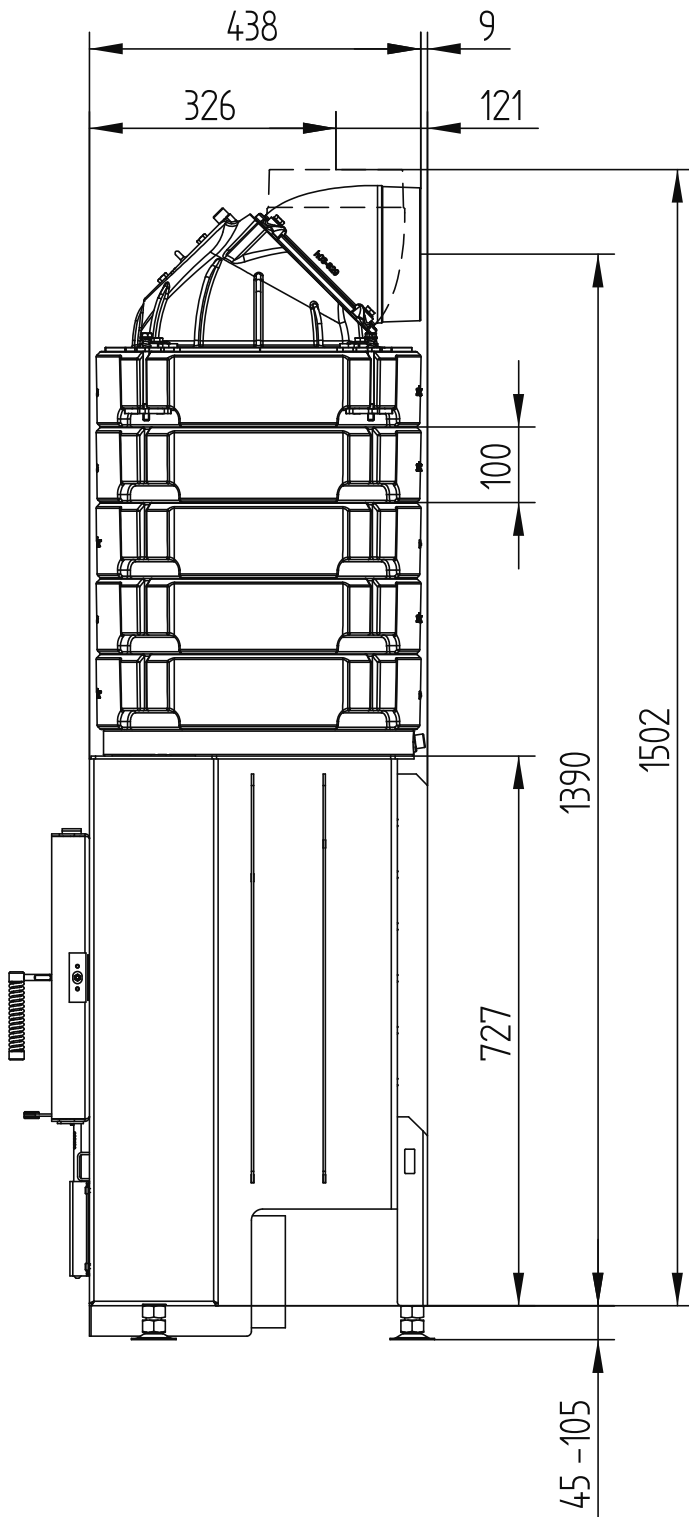


# HAKA 67/38N

Technical data  
Version 2019/08

accumulation rings

M 1:10

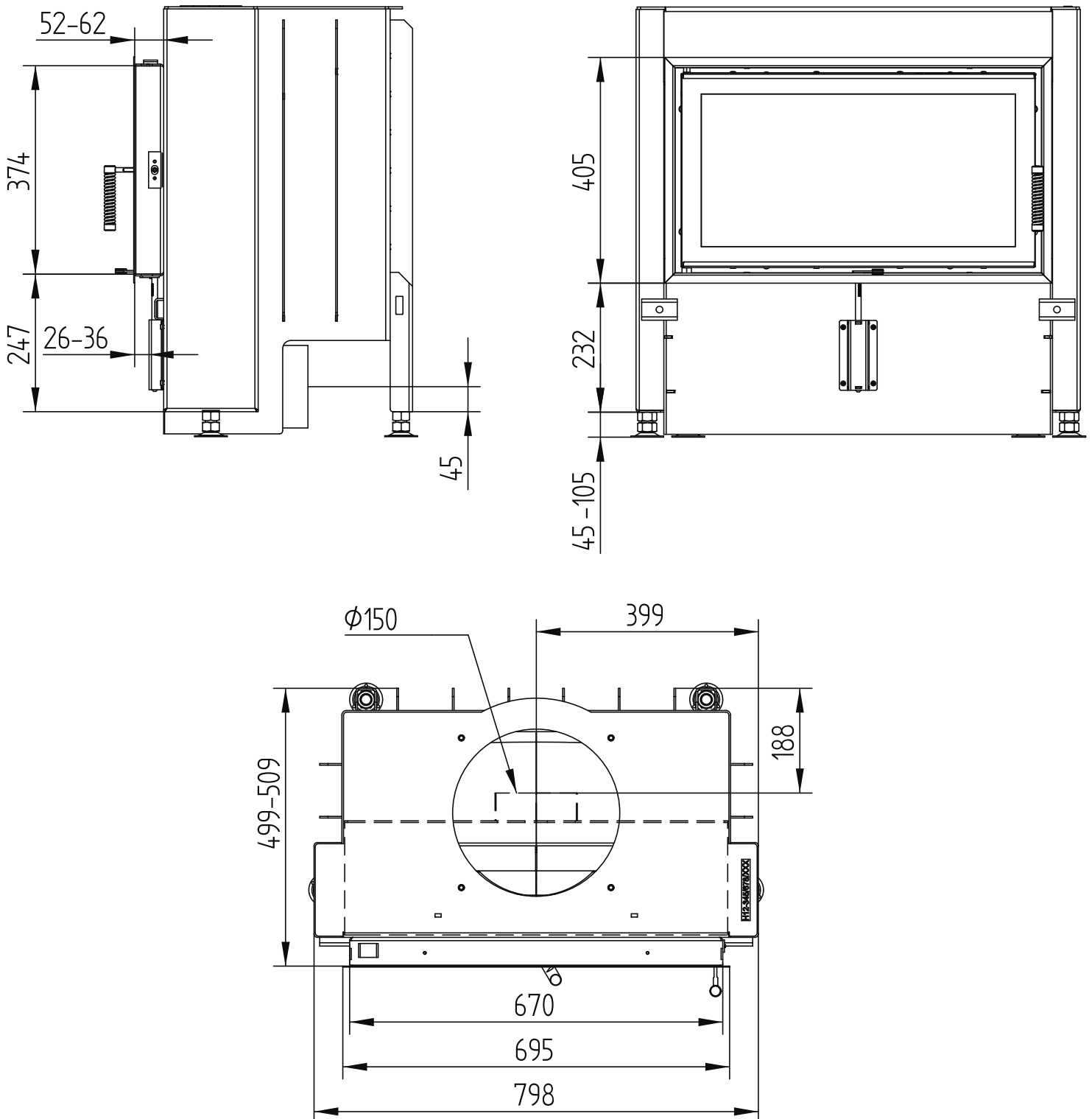


# HAKA 67/38N

Technical data  
Version 2019/08

cover frame 67/38 4sides 1 x 90° 50 mm / air intake

M 1:10



# HAKA 67/38N

Technical data  
Version 2019/08

cover frame 67/38 4sides 2 x 45° 80 mm / feet

M 1:10

