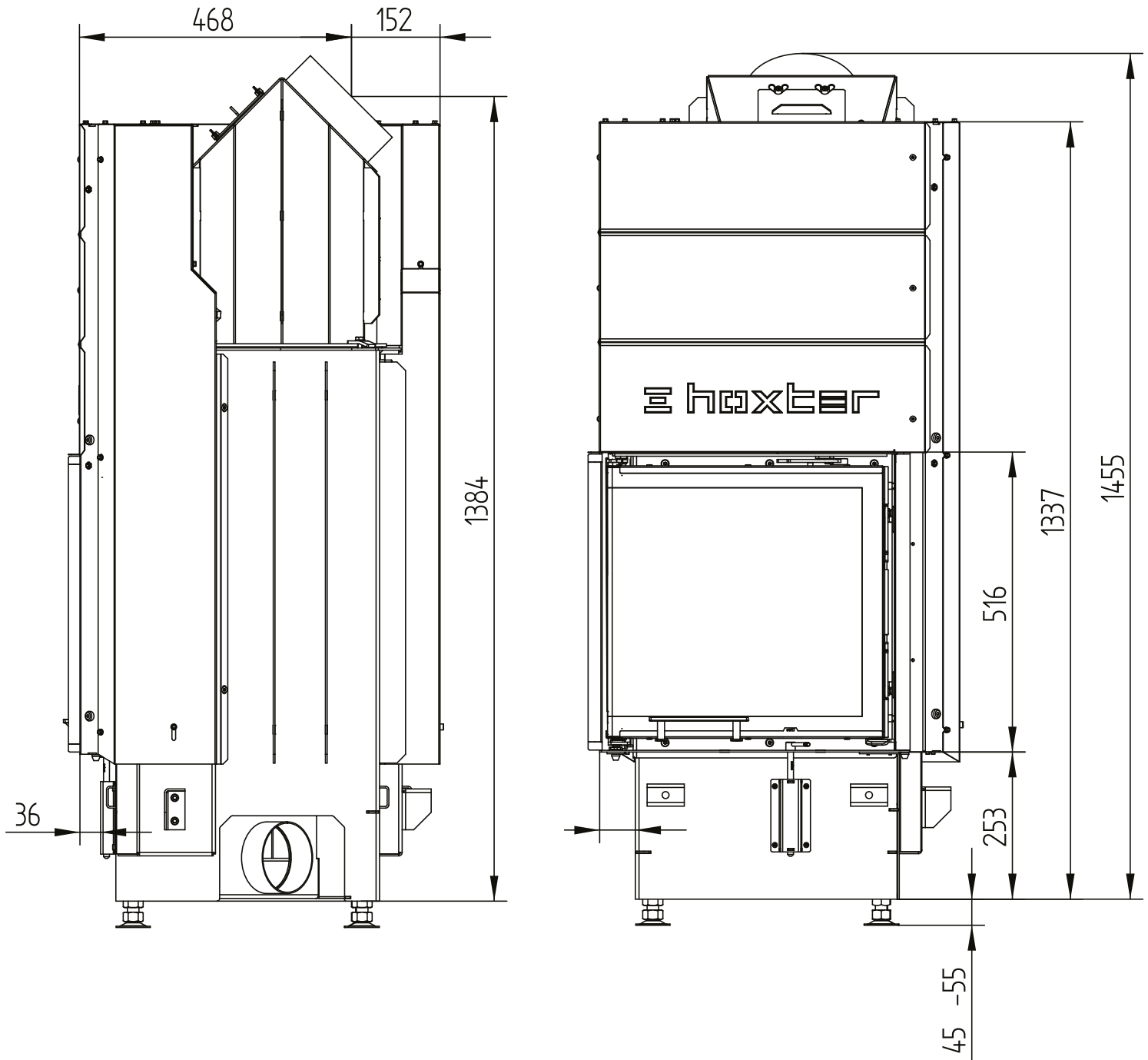


ECKA 51/51/51

Technical data
Version 2019/08

liftdoor hot air exchanger 45°

M 1:10



ECKA 51/51/51

Technical data
Version 2019/08

liftdoor hot air exchanger 45°

M 1:10

